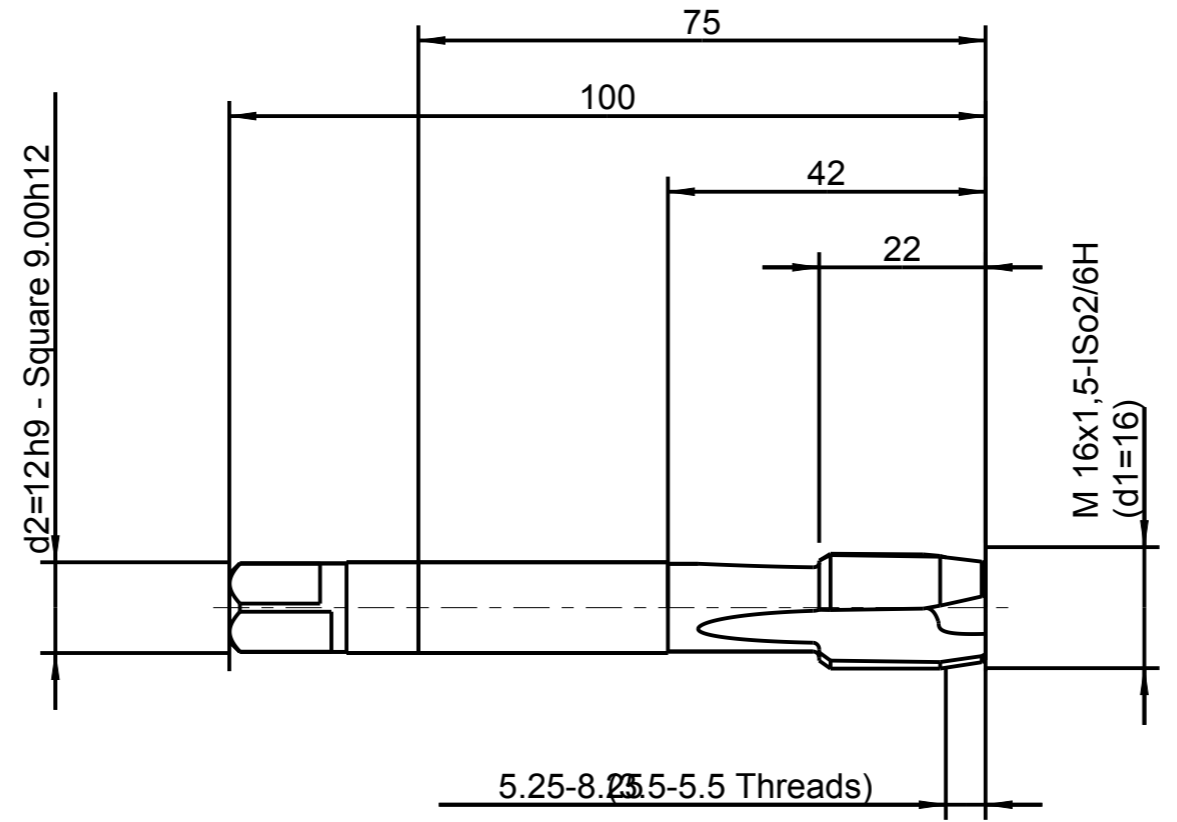


Weder die Herstellung dieses Dokuments, Verwertung und Mitteilung seines Inhalts, noch
 Verändern, soweit nicht ausdrücklich gestattet, Zuwahlungen verpflichtet zu Schadensersatz. Alle
 Rechte für den Fall der Patent-, Gebrauchsmuster- oder Geschmacksunterzeichnung vorbehalten.
 "Schutzvermerk nach DIN ISO 16016 beachten" Technische Änderungen vorbehalten!

Issued with CAD! Changes to be made only on the CAD/CAM modell


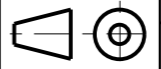
The reproduction, distribution and utilization of this document as well as the
 communication of its contents to others without explicit authorization is
 prohibited. All rights reserved in the event of the grant of a patent, utility model or design.
 "Observe protective mark according to DIN ISO 16016" Technical data is subject to change without notice!



1:1

Identification

EMUGE-STEEL Rekord 2B-STEEL-L-TIN M16x1,5-ISO2/6H
 Kom.-Nr.

 EMUGE-Werk Richard Glimpel GmbH & Co. KG www.emuge-franken.com		Document Type		Documentary drawing																			
		Description				Rek.2B-STEEL-L-TIN M 16x1,5-ISO2/6H																	
General tolerances ISO 2768-mk <table border="1"> <tr> <td>></td> <td>6</td> <td>30</td> <td>120</td> <td>400</td> <td>1000</td> </tr> <tr> <td>≤</td> <td>6</td> <td>30</td> <td>120</td> <td>400</td> <td>2000</td> </tr> <tr> <td></td> <td>±0,1</td> <td>±0,2</td> <td>±0,3</td> <td>±0,5</td> <td>±0,8 ±1,2</td> </tr> </table>		>	6	30	120	400	1000	≤	6	30	120	400	2000		±0,1	±0,2	±0,3	±0,5	±0,8 ±1,2	Sheet	1/1	View	
>	6	30	120	400	1000																		
≤	6	30	120	400	2000																		
	±0,1	±0,2	±0,3	±0,5	±0,8 ±1,2																		
		Scale	1:1																				
Issued by	CAD/TF	Date of issue	18.05.2018	Replaced by																			
Checked by		Date		Replacement for																			
		Customer		Component																			
		Material no.		Order no.	C0208400.0359																		
		Customer drawing no.		Drawing no.	C0208400.0359																		

A3